

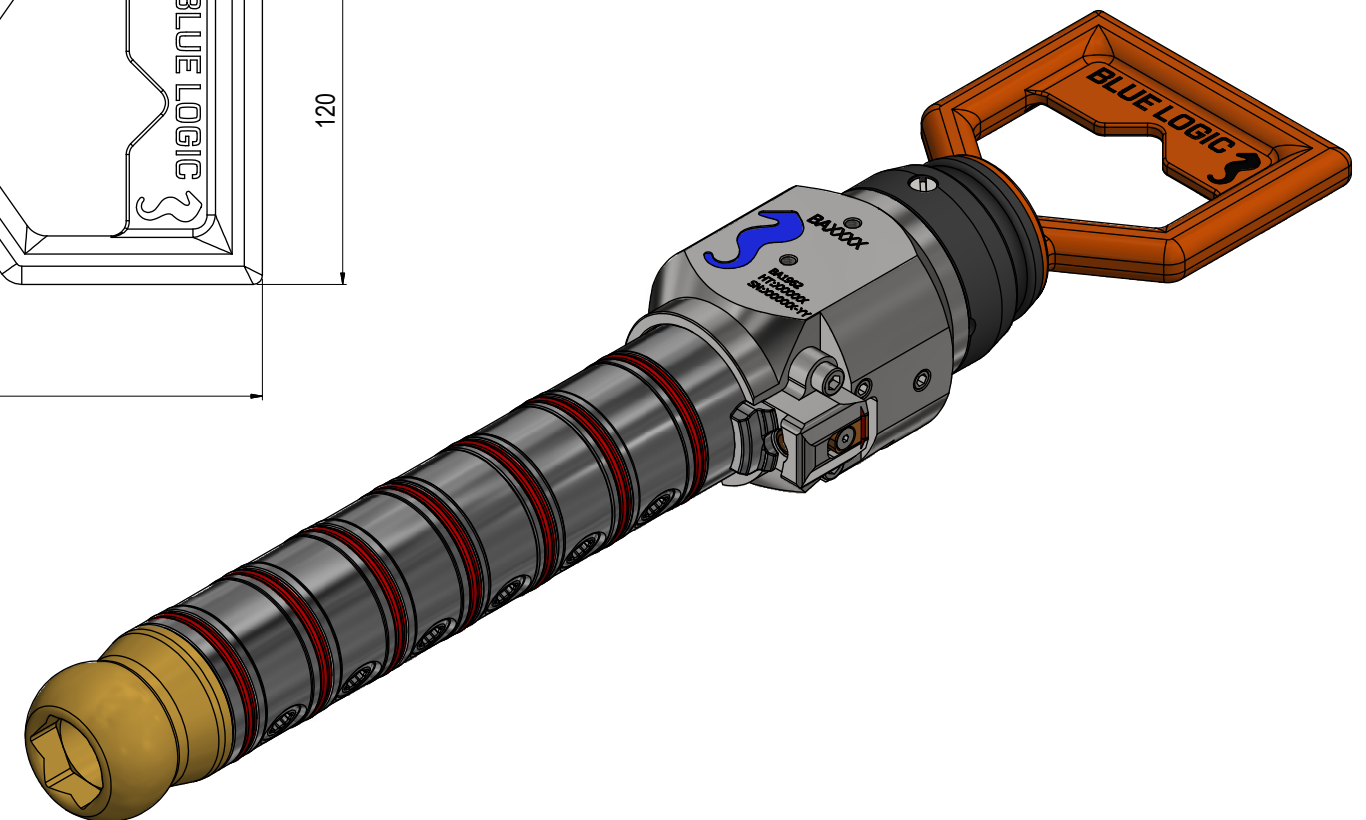
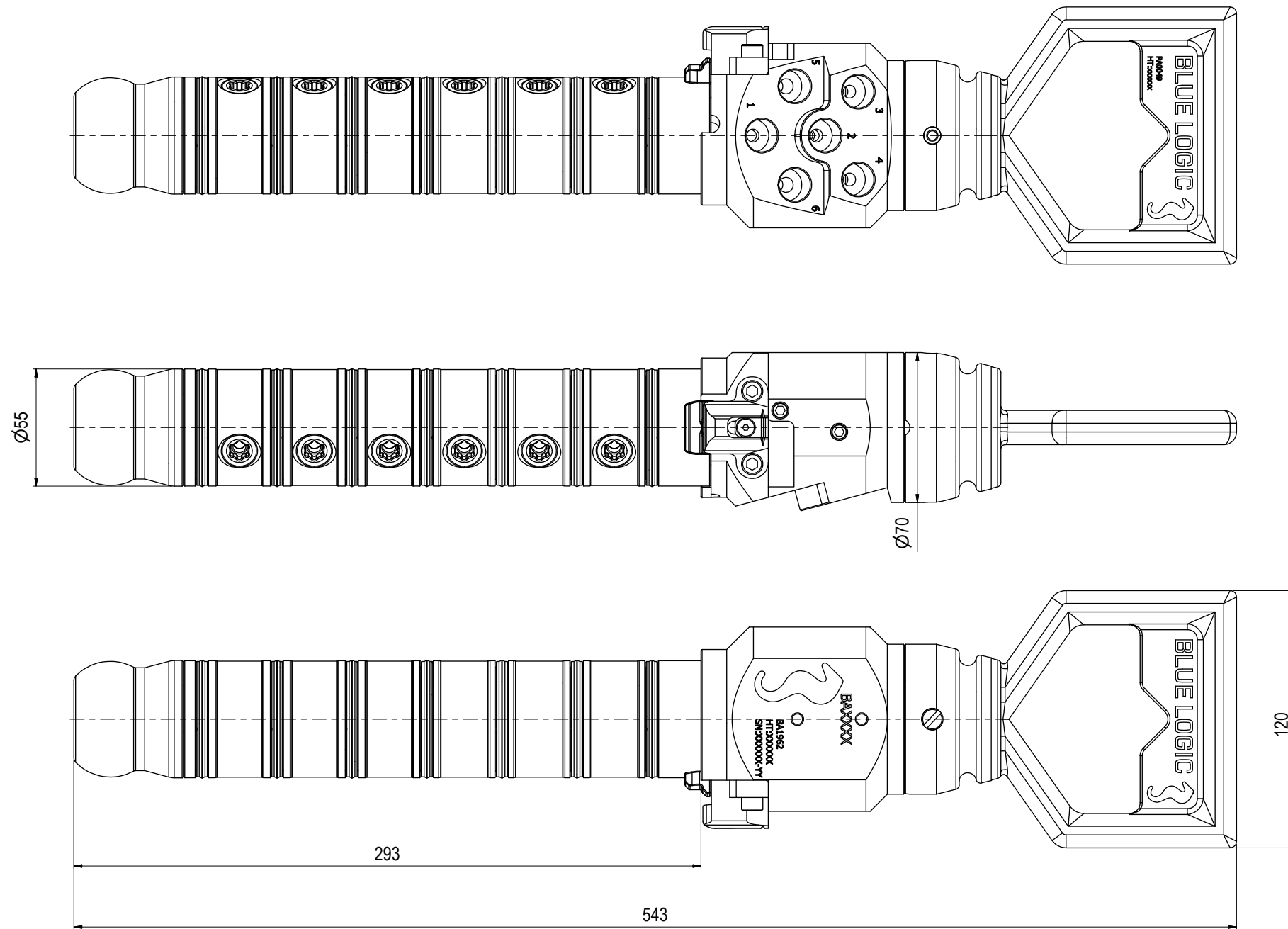
NOTE: 1
 DESIGN CODE:
 NS-EN 13445

NOTE: 2
 TECHNICAL CLASSIFICATION:
 Article Type: 003-Valve Stabs
 Main Group: 3.03. Ø55-Valvestab
 Intermediate Group: 3.12.01. Stab
 Sub Group: 3.12.32.6. Hexa

NOTE: 3
 INTERFACE INFORMATION:
 Pressure Rating Bar: 690
 Material: Intervention
 Weight: 8,8 kg
 Volume: 1,22 dm³
 Surface Area: 3356 cm²
 Hydraulic: 3/8" BSP
 Mechanical: N/A
 Electrical: N/A
 Com. & Protocol: N/A

NOTE: 4
 SPAREPARTS:
 BB1689

NOTE: 5
 ADDITIONAL INFORMATION:
 Usermanual: 600112-TD-0003



09	1.10.2024	9-IFU (Issued for Use)		WTJ	HNJ	WTJ
08	19.6.2020	9-IFU (Issued for Use)		WTJ	LGH	WTJ
07	17.1.2019	9-IFU (Issued for Use)		WTJ	LGH	WTJ
06	8.1.2019	9-IFU (Issued for Use)		WTJ	LGH	WTJ
Rev.	Date	Reason for issue	Revision change	Made	Chk'd	Appr.

BLUE LOGIC

Dwg Scale:
 NTS
 Dwg Proj:
 Dwg Format:
 A3

Drawing title:
 Ø55 HP VStab 10k Interv BSP 3/8"

Drawing number:
 BA1961

Rev:
 09